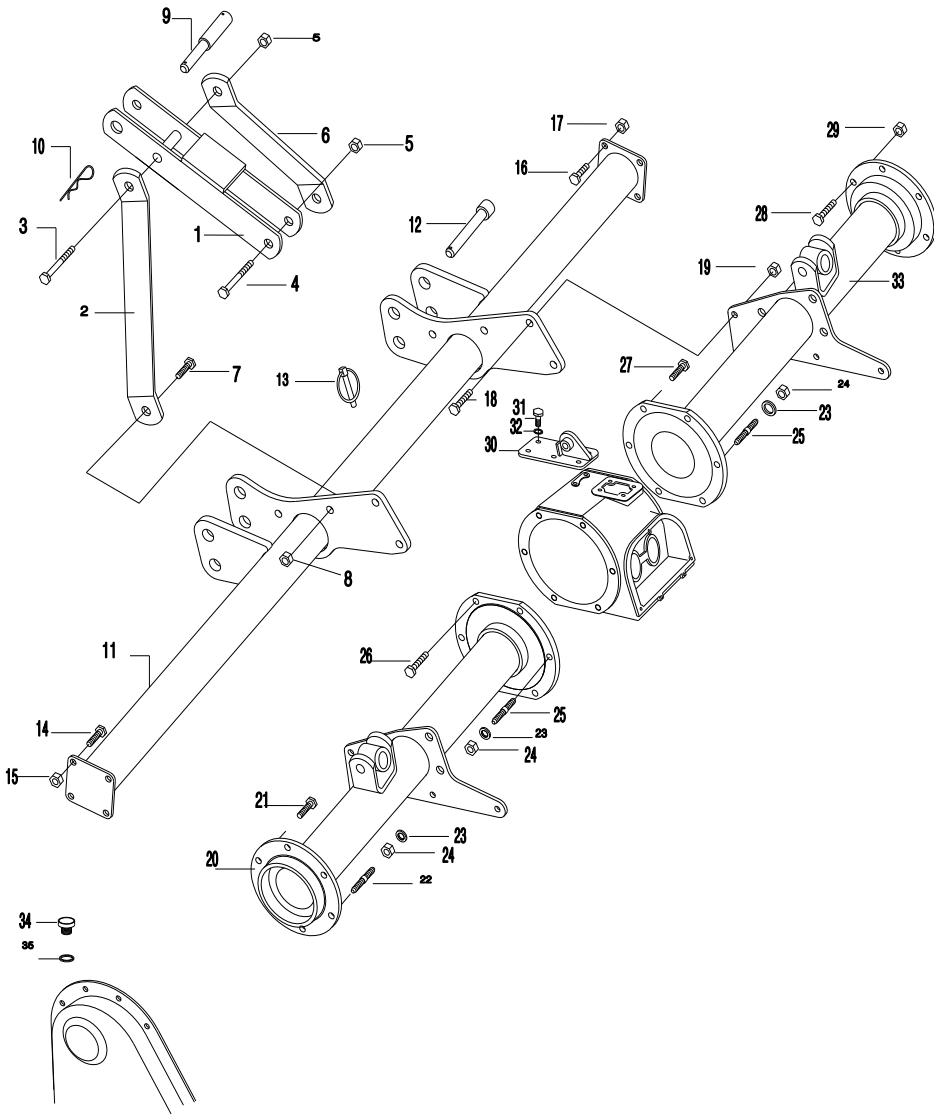
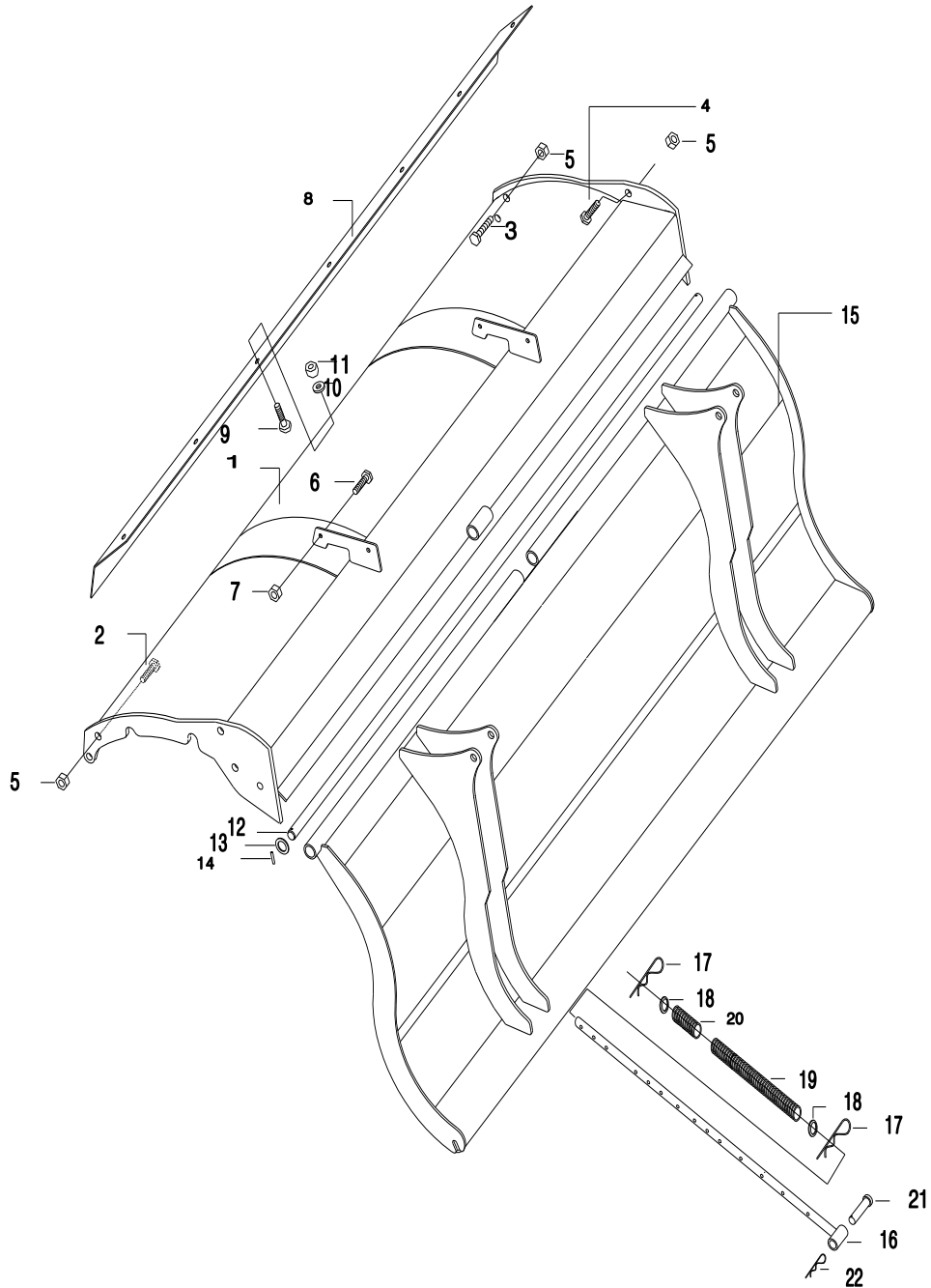


GM080, GM090 – FRAME GROUP



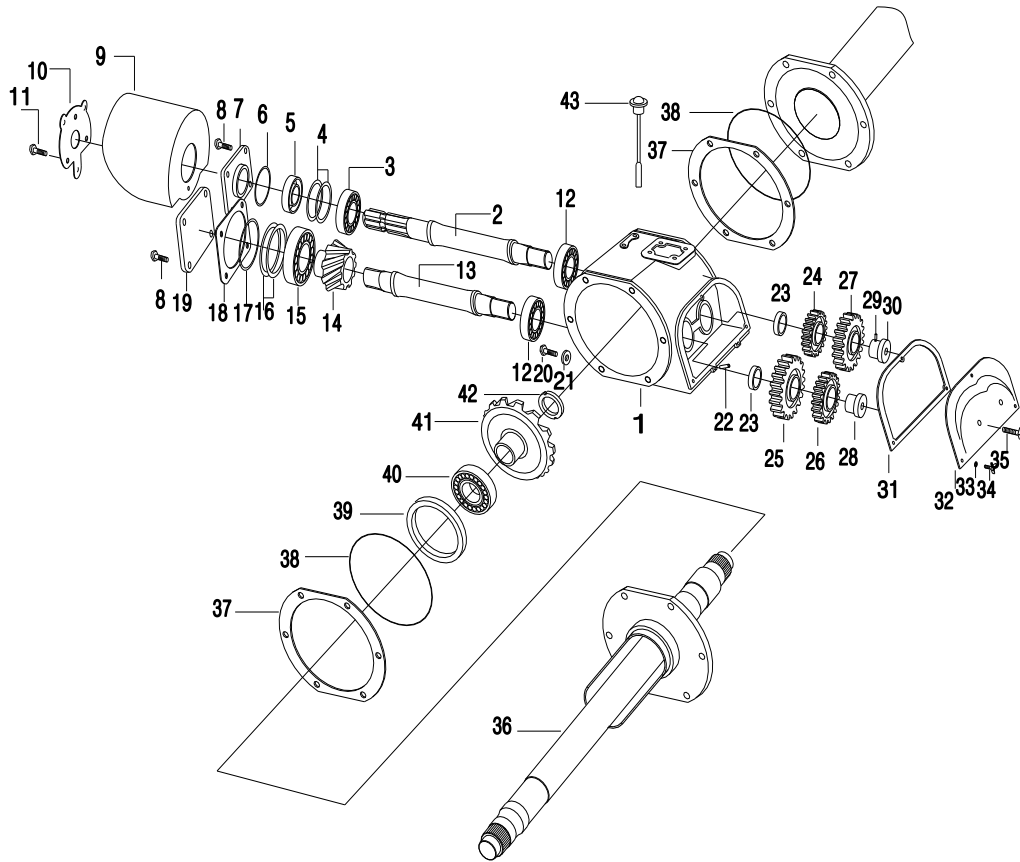
Ref No	Part No	Part Name	Q'ty	
			080	090
1	1800-600001	Master	1	1
2	1800-600002	Stay	1	1
3	0310-016130	Bolt	1	1
4	1310-016095	Bolt	1	1
5	0410-016000	Nylon Nut	2	2
6	1800-600002	Stay	1	1
7	0310-016055	Bolt	2	2
8	0410-016000	Nylon Nut	2	2
9	1731-500003	Pin, Top Link	1	1
10	0832-200050	Pin, R-Shape	1	1
11	YJ080-600005	Pipe, Hitch	1	
	M225-600005	Pipe, Hitch		1
12	1800-600006	Pin, Lower Link	2	2
13	1461-306000	Pin, Ring	2	2
14	0310-012035	Bolt	4	4
15	0410-012000	Nylon Nut	4	4
16	0310-012035	Bolt	4	4
17	0410-012000	Nylon Nut	4	4
18	0310-016050	Bolt	4	4
19	0410-016000	Nylon Nut	4	4
20	M205-600007	Pipe LH, Frame	1	
	M225-600007	Pipe LH, Frame		1
21	0327-012028	Bolt w/washer	4	4
22	1331-127000	Stud B	2	2
23	0931-012000	Washer, Spring	6	6
24	0421-012000	Nut	6	6
25	1331-126000	Stud A	4	4
26	0327-012035	Bolt w/washer	4	4
27	0327-012035	Bolt w/washer	4	4
28	0310-012035	Bolt	6	6
29	0410-012000	Nylon Nut	6	6
30	1800-600004	bracket, Master	1	1
31	0322-012030	Bolt	6	6
32	0931-012000	Washer, Spring	6	6
	M205-600008	Pipe RH, Frame	1	
33	M225-600008	Pipe RH, Frame		1
	2131-302000	Cap Filling	1	1
35	0920-020000	Washer, Packing	1	1

GM080, GM090 –COVER GROUP



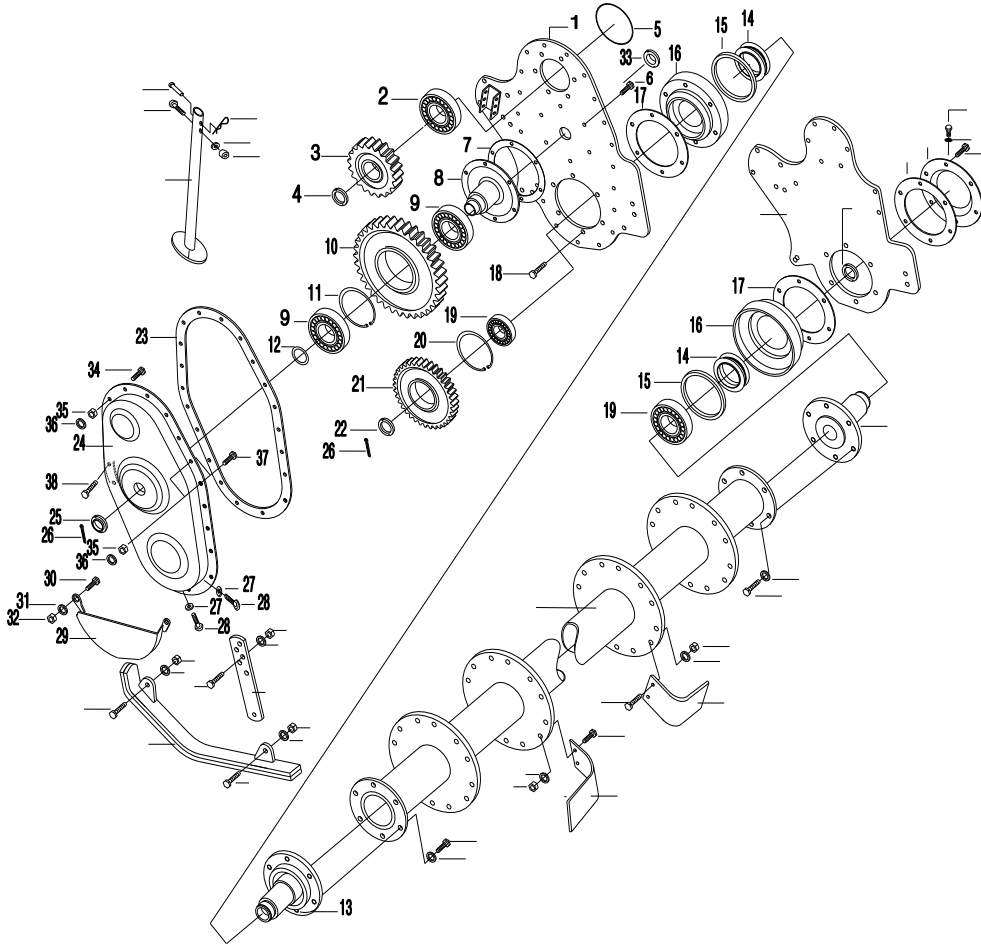
Ref No	Part No	Part Name	Q'ty	
			080	090
1	M205-600009	Cover, Tilliage	1	
	M225-600009	Cover, Tilliage		1
2	0310-012030	Bolt	1	1
3	0310-012030	Bolt	2	2
4	0310-012030	Bolt	4	4
5	0410-012000	Nylon Nut	7	7
6	0310-012030	Bolt	4	4
7	0410-012000	Nylon Nut	4	4
8	YJ080-500010	Cover, Front	1	
	M210-600010	Cover, Front		1
9	0322-010020	Bolt	8	8
10	0931-010000	Washer, Spring	8	8
11	0422-010000	Nut	8	8
12	M205-600011	Rod, Connection	1	
	M225-600011	Rod, Connection		1
13	0930-014000	Washer	1	1
14	0832-102222	Pin, Split	1	1
15	M205-600012	Plate, Balance	1	
	M225-600012	Plate, Balance		1
16	1800-600013	Rod	2	2
17	0832-200050	Pin, R-Shape	4	4
18	0930-022000	Washer	4	4
19	1331-311000	Spring, Tension	2	2
20	1331-313000	Spring, Bumper	2	2
21	0851-013080	Pin	2	2
22	0832-103222	Pin, Split	2	2

GM080, GM090 –MISSION GROUP



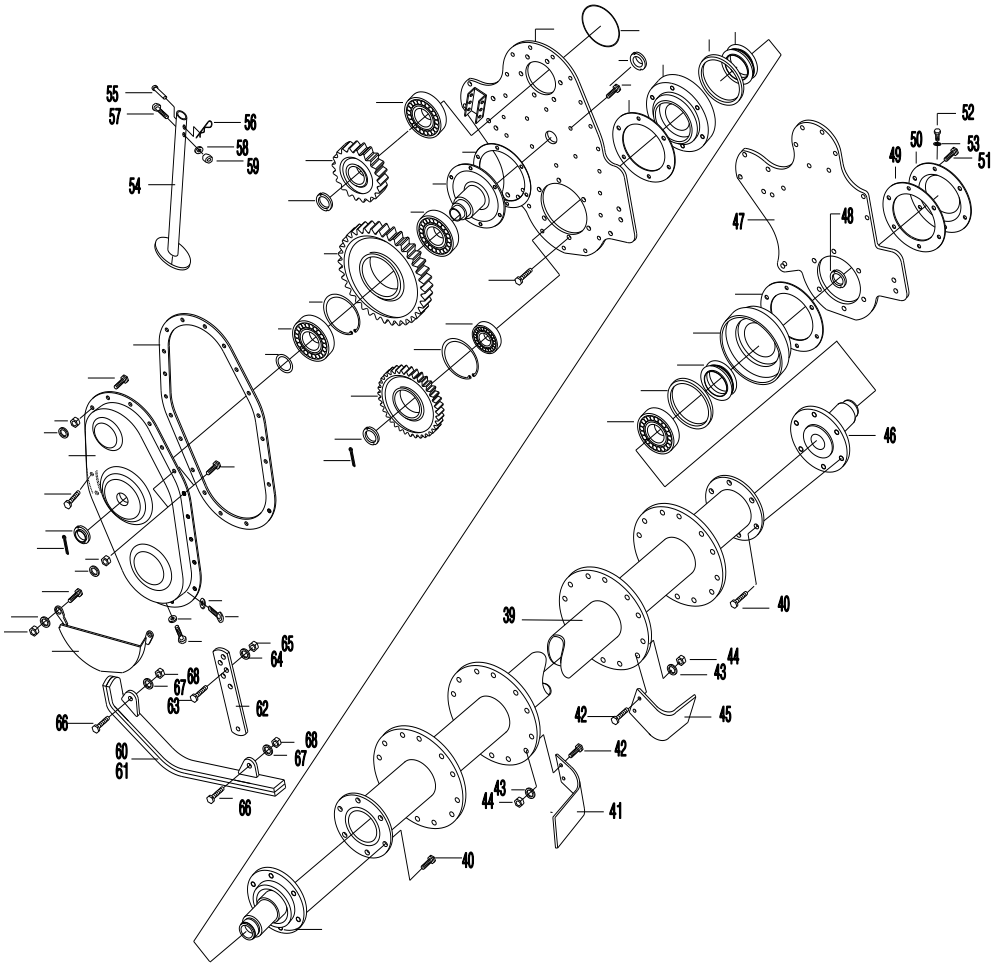
Ref No	Part No	Part Name	Q'ty	
			080	090
1	1413-101000	Case, Mission	1	1
2	1800-600015	Shaft, Input	1	1
3	0120-030208	Bearing, Taper	1	1
4	1331-103000	Shim	2	2
5	0240-406211	Seal, Oil	1	1
6	0910-300080	O-Ring	1	1
7	1800-600016	Cover, Input Shaft	1	1
8	0327-010030	Bolt w/washer	8	8
9	1731-500018	Cover, Safety	1	1
10	1731-500019	bracket, Cover	1	1
11	0327-008014	Bolt w/washer	3	3
12	0120-030209	Bearing, Taper	2	2
13	1800-600017	Shaft, Shifter	1	1
14	1800-600018	13T Gear, Bevel	1	1
15	0120-032212	Bearing, Taper	1	1
16	1331-116000	Shim	2	2
17	0910-300100	O-Ring	1	1
18	1800-601019	Packing, Cover, Shift Shaft	1	1
19	1800-600019	Cover, Shift Shaft	1	1
20	0321-010014	Bolt	1	1
21	0920-010000	Washer, Packing	1	1
22	0831-010056	Pin, Spring	2	2
23	1800-600020	Collar	2	2
24	1800-600021	19T, Gear, Spur	1	1
25	1800-600022	23T, Gear, Spur	1	1
26	1800-600023	20T, Gear, Spur	1	1
27	1800-600024	22T, Gear, Spur	1	1
28	INCLUDING REF NO. 32			
29	0831-104025	Pin, Spring	1	1
30	INCLUDING REF NO. 32			
31	1413-104000	packing, Mission Cover	1	1
32	1800-600027	Cover, Mission Case	1	1
33	0931-010000	Washer, Spring	3	3
34	0321-010030	Bolt	3	3
35				
36	M205-600028	Shaft, Driver	1	
	M225-600028	Shaft, Driver		1
37	1172-110000	Shim, Mission Case	2	2
38	0910-300175	O-Ring	2	2
39	0240-609007	Seal, Oil	1	1
40	0120-030212	Bearing, Taper	1	1
41	1800-600029	24T gear, Bevel	1	1
42	1331-123000	M88 Nut	1	1
43	1331-106000	Gauge, Oil	1	1

GM080, GM090 – SIDER GEAR GROUP 1



Ref No	Part No	Part Name	Q'ty	
			080	090
1	1800-600030	Plate, Side Gear	1	1
2	0120-030210	Bearing, Taper	1	1
3	1800-600031	17T Gear, Spur	1	1
4	1331-123000	M38 Nut	1	1
5	0910-300100	O-Ring	1	1
6	0327-010025	Bolt w/washer	6	6
7	0820-114000	Packing, Gear Pin	1	1
8	1731-500029	Pin, Gear	1	1
9	0121-006213	Bearing, Ball	2	2
10	1731-500027	35T Gear, Spur	1	1
11	0800-200120	Ring, Snap	1	1
12	0910-300045	O-Ring	1	1
13	1731-500033	Shaft, Spline	1	1
14	0240-120012	Seal, Oil	2	2
15	0251-007000	Seal, Group	2	2
16	1731-500032	Boss, Tillage	2	2
17	0820-101760	Packing, Boss Tillage	2	2
18	0327-012030	Bolt w/washer	6	6
19	0121-006310	Bearing, Ball	2	2
20	0800-200110	Ring, Snap	1	1
21	1731-500028	28T Gear, Spur	1	1
22	1331-123001	M38 Nut	1	1
23	0820-137000	Packing, Plate	1	1
24	1731-500030	Cover, Side Gear	1	1
25	1331-123001	M38 Nut	1	1
26	0832-102550	Pin, Split	2	2
27	0920-010000	washer, Packing	2	2
28	0321-010014	Bolt	2	2
29	1731-500031	Cover, Guider	1	1
30	0310-012030	Bolt	2	2
31	0931-012000	Washer, Spring	2	2
32	0423-012000	Nut	2	2
33	1331-123000	M38 Nut	1	1
34	0322-010030	Bolt	17	17
35	0422-010000	Nut	19	19
36	0931-010000	Washer, Spring	19	19
37	0322-010035	Bolt	2	2
38	0327-010014	Bolt w/washer	1	1

GM080, GMYJR090 – SIDER GEAR GROUP 2



Ref No	Part No	Part Name	Q'ty	
			080	090
39	YJR080-600032	Shaft, Tillage	1	
	M225-600032	Shaft, Tillage		1
40	0327-012030	Bolt w/washer	12	12
41	1730-519000	Blade, LH	24	27
42	0310-014035	Bolt	96	108
43	0931-014000	Washer, Spring	96	108
44	0423-014000	Nut	96	108
45	1730-519001	Blade, RH	24	27
46	1731-500035	Shaft, RH	1	1
47	1800-600033	Bracket	1	1
48	1331-123000	M38 Nut	1	1
49	1731-500037/2	Packing, Cover, Boss	1	1
50	1731-500037	Cover, Boss	1	1
51	0322-014012	Plug 2	1	1
52	0920-014000	Packing, Plate	1	1
53	0327-012025	Bolt w/washer	6	6
54	1731-500006	Stand	1	1
55	0851-010060	Pin	1	1
56	0832-200035	Pin-R Shape	1	1
57	0322-010060	Bolt	1	1
58	0931-010000	Washer, Spring	1	1
59	0422-010000	Nut	1	1
60	1731-500038	Skid LH	1	1
61	1731-500039	Skid RH	1	1
62	1731-500040	Bracket , Skid	2	2
63	0310-012035	Bolt	2	2
64	0931-012000	Washer, Spring	2	2
65	0410-012000	Nut	2	2
66	0310-012035	Bolt	2	2
67	0931-012000	Washer, Spring	4	4
68	0410-012000	Nut	4	4